

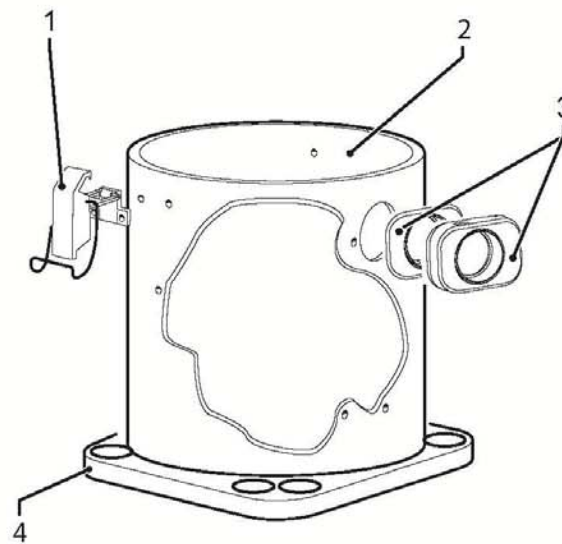
ASPIR. CM 30 S WET&DRY 220-240~50/60 COMET (9355 0003 00)

ASPIR. CM 30 S WET&DRY 220-240~50/60 COMET (9355 0003 00)

D82430036/01

Pos.	componente	Descrizione	Description	Qta
1	5027 0087	KIT MANIGLIA C/VITI+LANCIA PIATTA+5 RUOTE	KIT HANDLE + SCREWS + 5 WHELLS + LANCE D.35	1
2	0460 0062	CALOTTA	COVER	1
3	1410 0077	K INTR ON/OFF NERO + PROT TRASP	SWITCH ON/OFF KIT WITH PROTECTION	1
4	0466 0086	CONVOGLIATORE RAL 7035 ASPIRATORI 20/30 S	CONVEYOUR RAL 7035 FOR 20/30 S VACUUM CLEANERS	1
5	5027 0080	KIT SCUOTIFILTRO ASPIRATORI 20/30 S	KIT FILTER SHAKER FOR 20/30 S VACUUM CLEANERS	1
6	1831 0715	KIT MOTORE 230V +GUARNIZIONE ASPIRATORI 20/30 S	KIT MOTOR + GASKET FOR 20/30 S VACUUM CLEANERS	1
7	3002 0932	BASAMENTO MOTORI (X FUSTO C/BOCCAGLIO)	BASE FOR MOTORS OF VACUUM CLEANER	1
8	5027 0081	KIT CESTELLO + GALLEGGIANTE ASPIRATORI 20/30 S	KIT BASKET + FLOAT FOR 20/30 S VACUUM CLEANERS	1
9	0602 0115	DISCO FERMO FILTRO PER ASPIRATORI	LOCKING DISC FOR VACUUM CLEANER FILTER	1
10	1112 0032	FUSTO ACC.14LT +TELAIO RUOTE PER CM 30 S	TANK 14 LT. + WHEEL FRAME FOR CM 30 S	1
11	1112 0034	FUSTO ACC. 14LT COMPLETO C/SERIGRAFIA PER CM 30 S	SERIGRAPHY COMPLETE TANK 14 LT. FOR CM 30 S	1
12	1002 0275	PREFILTRO POLVERI FINI PER TESTATA CM 30 S	PRE-FILTER FOR FINE DUST CM 30 S	1
13	0456 0490	CAVO 2GX0,75MM2 H05VV-F L=4MT SP SHUKO ANTISPRUZZO F/F	CABLE H05VV-F 2X0,75 MT.4 SCHUKO PLUG	1
14	3208 0624	KIT TUBO FLEX 1,5mt C/IMP.DIRITTA	FLEXIBLE HOSE KIT 1,5mt	1
15	3208 0634	K TU PROL PLASTICA D35 L450MM	EXTENSIONS HOSE KIT MT.0.48 D.35	2
17	3046 0039	SPAZ COMPLETA X POLVERE E LIQUIDI "CM20S CM30S CV20S"	BRUSH DUST/LIQUID ECO D.35	1
25	1610 1935	LIBRET ISTR CM 30 S +CE COMET 22L A5 100F ()	INSTRUCTION MANUAL + COMET CE	1
27	1002 0294	FIL IN SPUGNA X CALOTTA GT PPI AZZURRO	FOAM FILTER	1
29	1002 0296	FILTRO CARTUCCIA LAVABILE	WASHABLE FILTER EXTERNAL NET	1
30	3208 1404	KIT TUBO FLEX 1,5mt + LANCIA	FLEXIBLE HOSE KIT AND LANCE (1,5mt)	1

D52090001/01



ASPIR. CM 30 S WET&DRY 220-240~50/60 COMET (9355 0003 00)**FUSTO ACC.14LT COMPLETO DOUBLE+TELAIO RUOTE (INF.)****D52090001/01**

Pos.	componente	Descrizione	Description	Qta
1	1202 0098	GAN 2.05/621 ZNT PER FUSTO	HOOK 2.05/621 ZNT FOR BODY	2
2	1112 0027	FUSTO ACC.14LT CON FORO S/GANCI X POLVERE (INF.)	LOWER TANK 14 LT.	1
3	3208 1402	KIT DEFLETTORE+BOCCAGLIO	DEFLECTOR+NOZZLE KIT	1
4	3002 0993	BASE PORTA RUOTE FUSTO ACCIAIO (5 RUOTE)	HOLDER WHEEL BASE FRAME(5 WHEE LS)	1

DATA VALIDITA'

16/01/2019DATA EMISSIONE
PRINTING DATE**16/01/2019**

4

D52120001/01



ASPIR. CM 30 S WET&DRY 220-240~50/60 COMET (9355 0003 00)**CORREDO MANIGLIA C/VITI+LANCIA PIATTA+5 RUOTE X VAC -GR- RAL.7035****D52120001/01**

Pos.	componente	Descrizione	Description	Qta
1	4.208.0803	IMPUGNATURA ASPIRATORE VAC -GR- RAL.7035 (PANT.421) (P82.0	GREY HANDLE VACUUM CLEANER RAL.7035 (PANT.421) (1
2	2810 0152	RU GEMELLATE PIVOT MAGGIORATE D.40 PERNO ACCIAIO C/CUFFIA	BLACK TWINNED PIVOTING WHEEL D.40 STEEL PIN.	5
3	0219 0029	BOCCH A LAN (D35) L=200MM	LANCE D.35	1

DATA VALIDITA'

16/01/2019DATA EMISSIONE
PRINTING DATE**16/01/2019**

6