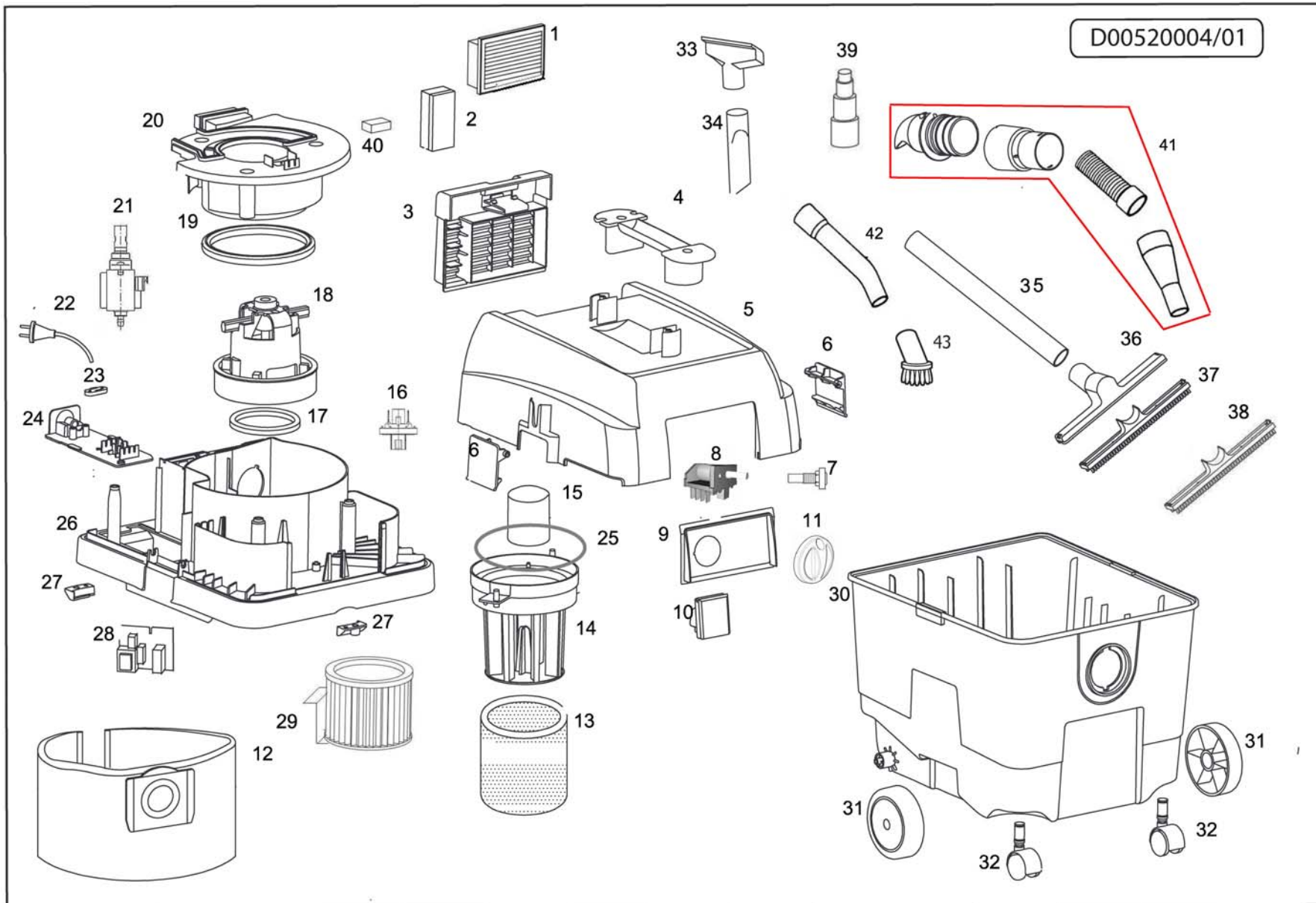


D00520004/01



# ASP.CVP 130 PEM WET&DRY 230/50 MAX1400W COMET (9356000100)

ASP.CVP 130 PEM WET&DRY 230/50 MAX1400W COMET (9356000100)

D00520004/01

| Pos. | componente | Descrizione  | Description                                      | Qta |
|------|------------|--|--|-----|
| 1    | 1002 0090  | FILTRO USCITA HEPA                                       | HEPA FILTER                                      | 1   |
| 2    | 1002 0276  | FILTRO A CARBONCINI                                      | CARBON FILTER                                    | 1   |
| 3    | 0402 0557  | GRIGLIA DI CHIUSURA FILTRO HEPA                          | HEPA FILTER CLOSING GRILL                        | 1   |
| 4    | 1818 0061  | MANIGLIA SUPERIORE                                       | UPPER HANDLE                                     | 1   |
| 5    | 0402 0558  | COPERCHIO SUPERIORE                                      | UPPER COVER                                      | 1   |
| 6    | 0402 0559  | CERNIERA DI CHIUSURA                                     | CLOSING HINGE                                    | 2   |
| 7    | 3039 0016  | SPIA ARANCIONE 220/240 INTASAMENTO FILTRO                | PILOT LAMP 220/240 ORANGE CLOGGING FILTER        | 1   |
| 8    | 1410 0165  | COMMUTATORE  | DIMMER   | 1   |
| 9    | 0477 0543  | PANNELLO SUPPORTO PRESA+SWITCH                           | SOCKET+SWITCH SUPPORT PANEL                      | 1   |
| 10   | 2423 0020  | PRESA 50X50 IP44   | SOCKET SEAT 50x50 IP44                           | 1   |
| 11   | 1817 0112  | MANOPOLA ROTANTE INTERRUTTORE (ROSSA)                    | RED ROTARY KNOB FOR SWITCH                       | 1   |
| 12   | 1002 0280  | KIT 5 FILTRI SACCO RACCOGLITORE IN MICROFIBRA            | 5 FILTER BAGS KIT                                | 5   |
| 13   | 1002 0081  | FILTRO IN SPUGNA   | FOAM FILTER                                      | 1   |
| 14   | 1002 0291  | CESTELLO DI SUPPORTO PER FILTRO SPUGNA                   | FOAM FILTER SUPPORT DRUM                         | 1   |
| 15   | 1237 0023  | GALLEGGIANTE   | FLOAT  | 1   |
| 16   | 2421 0052  | PRESA\ ou° u\ TAR° u\ ° 135 MBAR                         | PRESSURE SWITCH CALIBRATED u\ ° U ° k            | 1   |
| 17   | 1201 0272  | GU INF. MOT. ASP.CVP 130 PEM                             | MOTOR GASKET LOWER                               | 1   |
| 18   | 1831 0698  | MOT SPAZZ.BP 220-240V 50/60HZ 1200W MONOSTADIO C/CAV.L=3 | SINGLE STAGE MOTOR BY PASS 220-240V 50/60Hz 1200 | 1   |
| 19   | 1201 0273  | GU SUP. MOT. ASP.CVP 130 PEM                             | MOTOR GASKET UPPER                               | 1   |
| 20   | 3002 0924  | SUP SUP.MOT. ASP.CVP 130 PEM                             | GREY UPPER MOTOR HOUSING                         | 1   |
| 21   | 2422 0051  | POM VIBRAZIONE 230V C/VITI M4X12mm PER CVP 130           | SHAKER SOLENOID PUMP 230V WITH M4X12mm SCREW     | 1   |
| 22   | 0456 0948  | CAVO H05RN-F 3G1.5 ASP.CVP 130 PEM SP.SCHUKO             | CABLE SHUKO PLUG                                 | 1   |
| 23   | 2434 0082  | PASSACAVO PER SPINA ASP.CVP 130 PEM                      | CABLE GLAND BE30 PP                              | 1   |
| 24   | 2403 0116  | PIASTR CAVO ASP.CVP 130 PEM                              | GREY CABLE PLATE BE30 PP                         | 1   |

DATA VALIDITA'

31/01/2019

DATA EMISSIONE  
PRINTING DATE

31/01/2019



2

## ASP.CVP 130 PEM WET&DRY 230/50 MAX1400W COMET (9356000100)

|    |            |  |   |   |
|----|------------|--|---|---|
| 25 | 1201 0274  | GU CESTELLO ASP.CVP 130 PEM                            | GASKET FOR FILTER SUPPORT BID. PP W&D           | 1 |
| 26 | 3002 0925  | SUP INF.MOT. ASP.CVP 130 PEM                           | GREY LOWER MOTOR HOUSING                        | 1 |
| 27 | 1202 0097  | GAN CESTELLO ASP.CVP 130 PEM                           | TANK CLIP                                       | 2 |
| 28 | 3043 0063  | SCHEDA ELT 230V ASP.CVP 130 PEM                        | ELECTRONIC BOARD 230V                           | 1 |
| 29 | 1002 0277  | KIT 1 FILTRO CARTUCCIA CLASSE M X PRO WORKER COMET     | KIT 1 FILTER FOR PRO WORKER                     | 1 |
| 30 | 0477 0544  | VASCA Gr.7042 ASP.CVP 130 PEM                          | CONTAINER HOUSING BE30 PP Gr. 7042              | 1 |
| 31 | 2810 0149  | RU GR.7042 ASP.CVP 130 PEM                             | GREY WHEEL BE30 PP GR.7042                      | 2 |
| 32 | 2810 0150  | RU PIVOT. D.42 NERA ASP.CVP 130 PEM                    | RU PIVOT. D.42 NERA ASP.CVP 130 PEM             | 2 |
| 33 | 3046 0046  | SPAZ RETTANGOLARE D35 L=140MM                          | TOOL D.35                                       | 1 |
| 34 | 0219 0029  | BOCCH A LAN (D35) L=200MM                              | LANCE D.35                                      | 1 |
| 35 | 3208 1373  | TUBO ACCIAIO CROMATO D.35 L=491 (COD. 001032)          | STEEL PIPE D.35 L=491                           | 2 |
| 36 | 3206 0177  | TL X SPAZ (D35) 300MM                                  | BODY BRUSH D.35 L=300 (SP.)                     | 1 |
| 37 | 3046 0049  | RACLA ACCESSORIO SETOLATO 300MM                        | FLOOR BRUSH                                     | 1 |
| 38 | 3046 0051  | RACLA ACCESSORIO LIQUIDI 300MM                         | WET TOOL 300 mm                                 | 1 |
| 39 | 5.212.0212 | KIT 1 ADATTATORE X ELETTROUTENSILI COMET               | KIT 1 ADATTATORE X ELETTROUTENSILI COMET        | 1 |
| 40 | 3002 0926  | ANV A L PER POMPA VIBR. CVP 130 PEM                    | L ANTIVIBRATION DEVICE FOR ULKA/CEME DETERG. PU | 1 |
| 41 | 3208 0644  | TUBO FLEX 4MT  | HOSE 4MT  | 1 |
| 42 | 3208 0638  | TU IMPUGNATURA CURVA PER ACCESSORI D.35 (SP.) 0N100050 | HANDLE D.35 FOR ACCESSORIES (BEND)              | 1 |
| 43 | 3046 0102  | SPAZ D.32  | SPAZ D.32                                       | 1 |