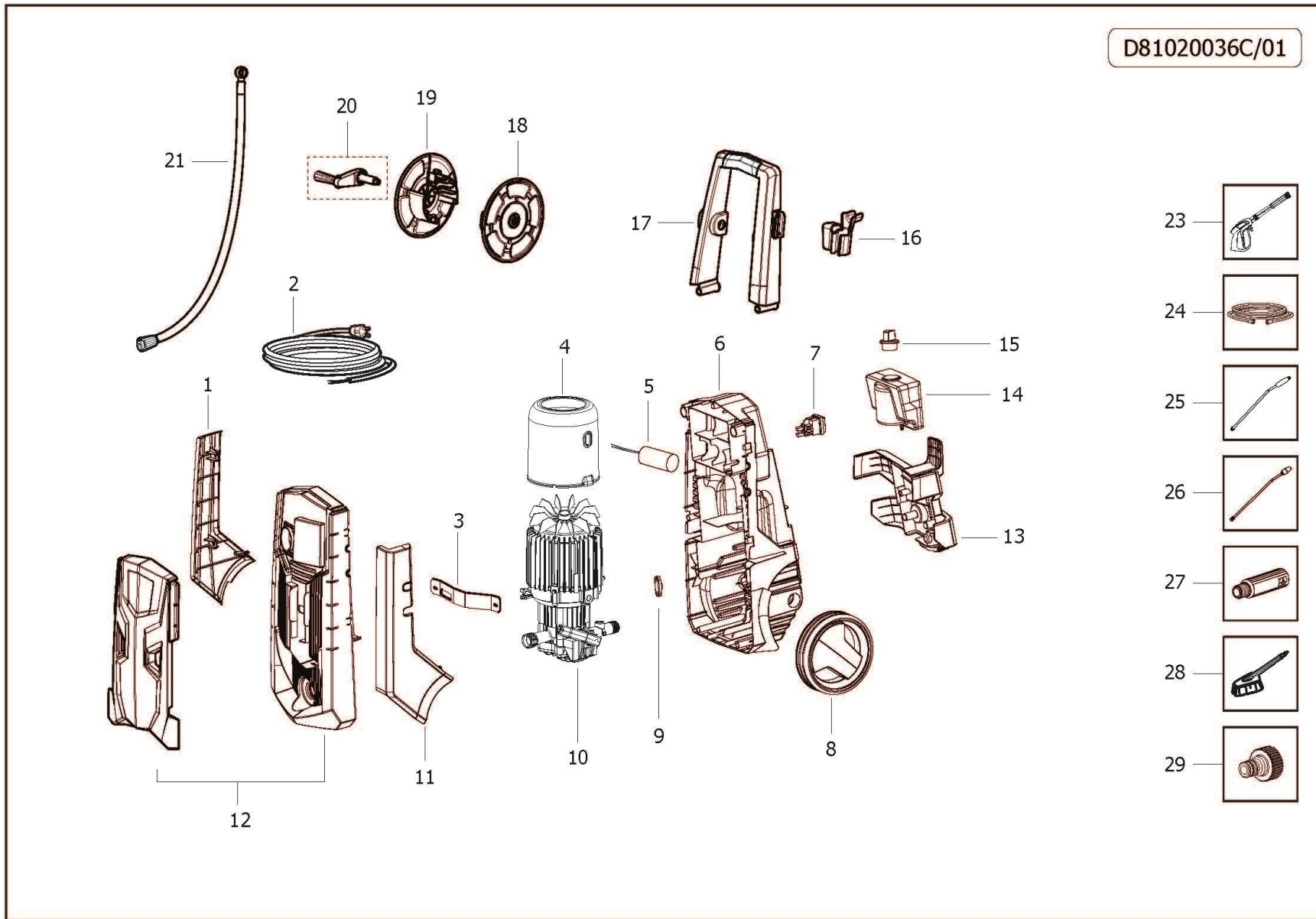


D81020036C/01



IDROPULITRICE KLS 1680 GOLD PLUS 230-240/50 (9068011900)
HIGH PRESSUE WASHER KLS 1680 GOLD PLUS 230-240/50 (9068011900)

IDRO KLS 1680 GOLD PLUS 230-240/50 (9068011900)

D81020036C/01

Pos.	componente	Descrizione	Description	Qta
1	0477062100	GUSCIO LATERALE SX -GR RAL.7015 (PANT.446)	LATERAL LEFT SHELL -GREY RAL.7015 (PANT.446)-	1
2	0456052900	CAVO H05VV-F 3X1 MT.5,4 SP.SCHUKO F/F C/COPRIFASTO	CABLE H05VV-F 3X1 MT.5,4 SCHUKO PLUG F/F	1
3	1003010100	FASCIA FISSAGGIO MOTOPOMPA INDUZ.	FIXING BAND FOR INDUCTION MOTOR	1
4	0466009700	CONVOGLIATORE MOTORE 110H80 (D.142)	AIR CONVEYOR FOR MOTOR 110H80 (D.142)	1
5	0434006700	CONDENSATORE 32mF 450V F/M	CAPACITOR 32mF 450V	1
6	0477062400	CARENATURA POSTERIORE -GR- RAL.7015 (PANT.446)	BACK SIDE CABINET -GREY RAL.7015 (PANT.446)- (IN	1
7	1410015300	INTERRUTTORE 0/1 PULS.NERI PUSH/BOTTON IP55 12/10	SWITCH 0/1 BLACK BOTTON IP55 12/10	1
8	2810012600	RUOTA RIVESTITA -GR- RAL.7015 (PANT.446)	GREY RAL.7015 (PANT.446) WHEEL W/BLACK TREAD	2
9	2434008300	FERMACAVO PARETE FISSA	CABLE HOOK	1
10	7301102900	MOTOP.PT'03 110h100 230-240/50 D.12 9GR45 TS IN.1,7	MTP PT'03 110h100 230-240/50 D.12 9GR45 TS IN.1,	1
11	0477062200	GUSCIO LATERALE DX -GR- RAL.7015 (PANR.446)	LATERAL RIGHT SHELL -GREY RAL.7015 (PANT.446)-	1
12	0477062300	ASSIEME CAREN.+COPERT.ANT. KLS INDUZ. -GR-	ASSEMBLY FRONT PLASTIC COVERS KLS -GREY- (INDU	1
13	0477066800	PORTAACCESSORI -GR- RAL.7015 (PANT.446)	GREY ACCESSORY HOLDER -RAL.7015 (PANT.446)-	1
14	3029005900	SERBATOIO -B- TRASP	TANK	1
15	3200023900	TAPPO SERBATOIO -N-	BLACK PLUG D.30 FOR TANK	1
16	0477073700	PORTA PISTOLA BIT105 PER KLS -GR.- RAL.7015	BIT105 GUN HOLDER FOR KLS -GREY RAL.7015-	1
17	1411011200	ASSIEME MANICO ALTO KLS(X AVV.) + PLACCHETTA -A-	HANDLE FOR HOSE REEL KLS + ORANGE GRIP	1
18	0602015800	SEMIAVV.LATO INGRESSO VERS.'11	BLACK HALF HOSE SIDE REEL '11	1
19	0602015900	SEMIAVV.LATO MANOVELLA VERS.'11	BLACK HALF LEVER SIDE REEL '11	1
20	1804001000	ASSIEME MANOVELLA C/PERNO L=85 +IMP.LUNGA '11 -N-	KIT HANDLE LONG VERSION '11 (L=85) -BLACK-	1
21	3208158800	TUBO 1/4 22.5MPa L=750 R1 X COLL.AVV.'10/POMPA	1/4 HOSE 22.5MPa L=750 R1 FOR CONNECTION HOS	1
23	2410033000	PISTOLA BIT105 3000PSI C/RACC. G1/4M - M22X1,5F	GUN BIT105 3000PSI W/CONNECTIONS G1/4M - M2	1
24	3208156900	TUBO 1/4 23MPa L=8000 R1 RACC.INTEGR.X AVV.'10-1/4	HOSE 1/4 R1 23MPa L=8000 INTEGRAL COUPLING-1/	1

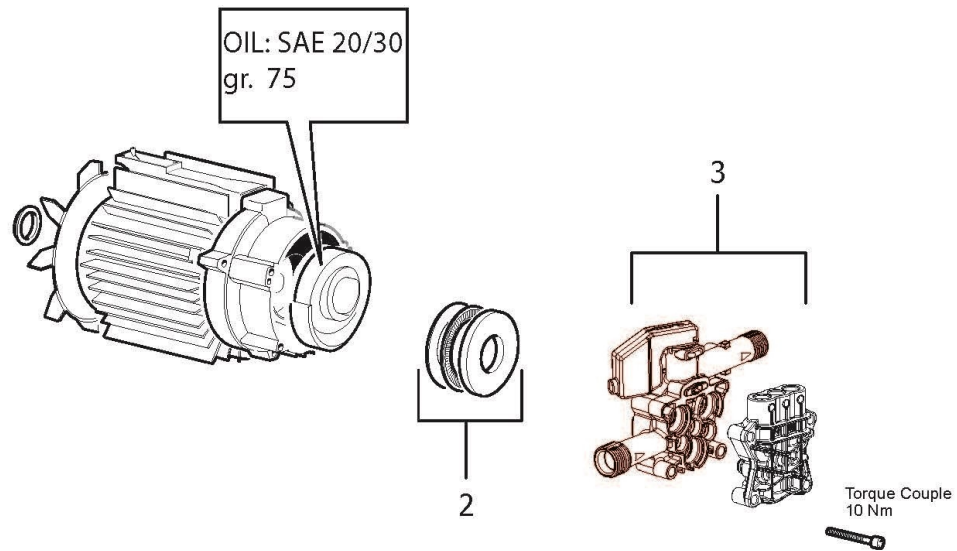
IDROPULITRICE KLS 1680 GOLD PLUS 230-240/50 (9068011900)
HIGH PRESSUE WASHER KLS 1680 GOLD PLUS 230-240/50 (9068011900)

25	3301160900	LANCIA L=440 INCLINATA S/COPERTURA A/B M22 D.0.97 (INCLINED LANCE L=440 HI/LO M22 D.0.97 (025) WIT	1
26	3301160500	LANCIA ROTOX L=430 INCLINATA S/COPERTURA M22 028	INCLINED ROTOX LANCE L=430 M22 028 WITHOUT C	1
27	0011001000	ADATTATORE M22x1,5+ATTACCO INNESTO RAPIDO C/FILE	M22 ALLOY MALE - QUICK CONNECTION FEMALE	1
28	1413005600	IDROSPAZZOLA FISSA CON ATTACCO COGETIL GRANDE	FIX BRUSH WITH ADAPT.REINFORCED COGETIL	1
29	1407008600	INNESTO RAPIDO 3/4 TRASP. C/GUARNIZ. C/FILTRO ISPEZI	TRANSP.QUICK COUPLING W/INSPECT.FILTER	1

DATA VALIDITA' DATE OF VALIDITY	29/06/2022	DATA EMISSIONE PRINTING DATE	29/06/2022
------------------------------------	-------------------	---------------------------------	-------------------



D50010940C/01



IDROPULITRICE KLS 1680 GOLD PLUS 230-240/50 (9068011900)
HIGH PRESSUE WASHER KLS 1680 GOLD PLUS 230-240/50 (9068011900)

MOTOPOMPA/MOTORPUMP

D50010940C/01

Pos.	componente	Descrizione	Description	Qta
2	0436003700	CUSCINETTO REGGISPINTA A SFERE 35X55X12 PER PT'03	THRUST BEARING 35X55X12 PT'03	1
3	5027009600	GRUPPO C.GUIDA C/TS 13KG-ASP.+TEST.OTT.TAPPI FIL. (PT	BODY GUIDE+BRASS HEAD W/TS-INJ.-THREAD CAPS-	1

DATA VALIDITA'
DATE OF VALIDITY

29/06/2022

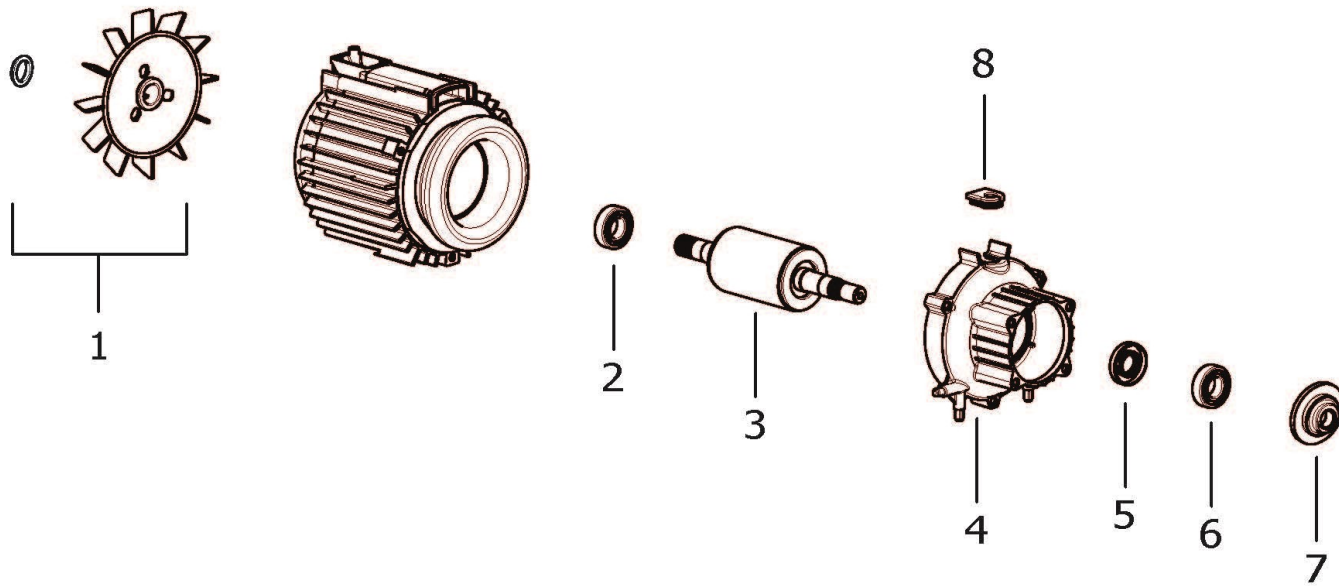
DATA EMISSIONE
PRINTING DATE

29/06/2022



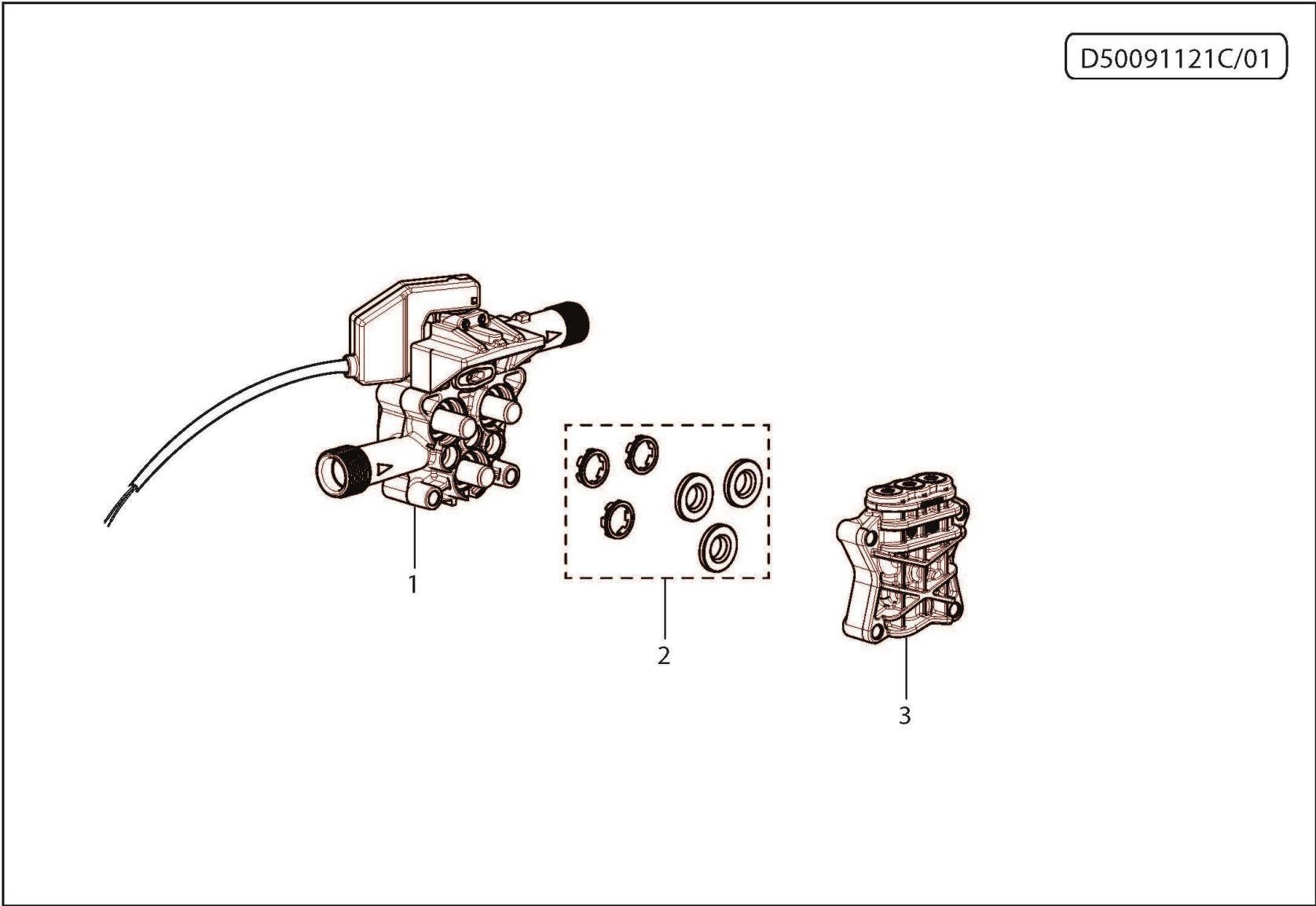
5

D50091122C/02



Pos.	componente	Descrizione	Description	Qta
1	3632018000	KIT VENTOLA + ANELLO PER MOTORE D.110	KIT FAN + RING FOR MOTOR D.110	1
2	0438016600	CUSCINETTO RADIALE A SFERE 6202 2RS (15x35x11)	BALL BEARING 6202 2RS (15x35x11)	1
3	0001102500	ALBERO ROTORE PER MOTORE 110H100ALL	ROTOR FOR 110H100AL	1
4	1009045900	FLANGIA ANT.MOTORE D.110-'10 PT'03 X VITI AUTOFIL.	MOTOR FLANGE D.110-'10 PT'03 WITHOUT THREAD	1
5	0019022900	ANELLO TENUTA OLIO D.20X35X7	OIL SEALING RING D. 20X35X7	1
6	0438015500	CUSCINETTO RADIALE A SFERE 6303 (17X47X14)	RADIAL	1
7	0001102700	PIATTELLO 9GR45 PER PT'03 CUSCIN.REGGISPINTA SFERE	WOBBLE PLATE 9GR45 FOR PT'03	1
8	2434009000	PASSACAVO PT'03-10	CABLE HOLDER PT'03-10	1

D50091121C/01



IDROPULITRICE KLS 1680 GOLD PLUS 230-240/50 (9068011900)
HIGH PRESSUE WASHER KLS 1680 GOLD PLUS 230-240/50 (9068011900)

GRUPPO CORPO GUIDA / GUIDE BODY GROUP

D50091121C/01

Pos.	componente	Descrizione	Description	Qta
1	5027009900	CORPO GUIDA PT'03 PIST.D.12 C/ TS-ASP.-VALV.COMP.-M.	PISTON BODY GUIDE PT'03 W/TS-SUCTION 13KG (40	1
2	5027006700	KIT 257 LW ANELLI APP.TENUTA ALLUM.+ DISTANZIALI PT	KIT 257 O-RING SEAL	1
3	5027009800	TESTATA PT'03 D.12 OTT.C/TAPPI FIL.	COMPLETE BRASS HEAD PT'03 WITH THREAD CAPS	1

DATA VALIDITA'
DATE OF VALIDITY

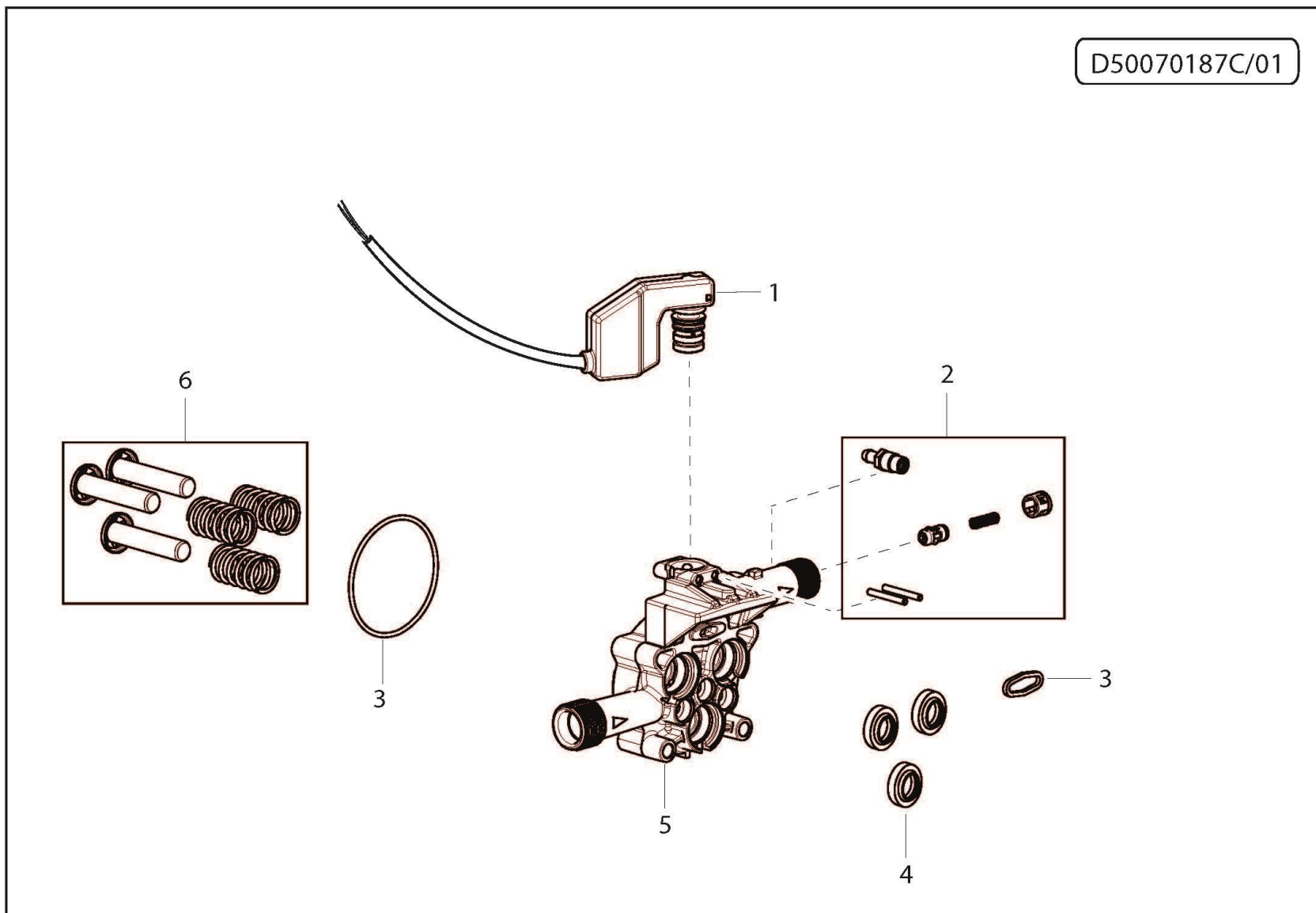
29/06/2022

DATA EMISSIONE
PRINTING DATE

29/06/2022



D50070187C/01



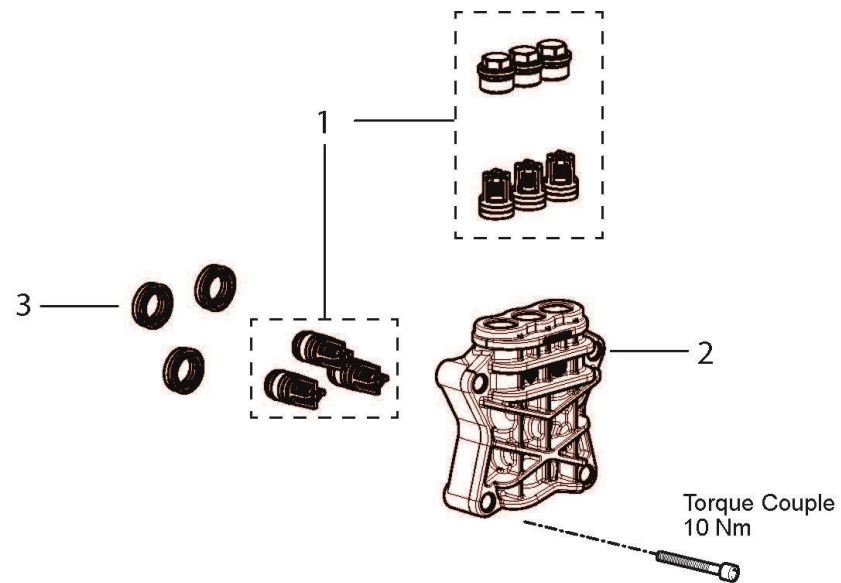
IDROPULTRICE KLS 1680 GOLD PLUS 230-240/50 (9068011900)
HIGH PRESSUE WASHER KLS 1680 GOLD PLUS 230-240/50 (9068011900)

CORPO GUIDA PT'03 PIST.D.12 C/ TS-ASP.-VALV.COMP.-M.13KG

D50070187C/01

Pos.	componente	Descrizione	Description	Qta
1	3103004900	ASSIEME V.COMP. C/TS PT'03 CAVO L=530 MOLLA 13KG (C	COMPLETED VALVE TS PT'03 CABLE L=530 SPRING 13	1
2	5027005800	KIT 252 LW INIETTORE 1,7 +PORTAG.FIL.+VALV.RITEGNO P	KIT 252	1
3	5027005400	KIT "O-RING PER PT'03"	KIT "O-RING FOR PT'03"	1
4	5027005900	KIT 79 LW ANELLI TENUTA OLIO X PARTNER D.12/FIBRA	KIT 79 LW OIL SEALS	1
5	2432004700	CORPO GUIDA PISTONI PT'03 C/FORO ASP.DET.FILET.	PISTON BODY GUIDE PT'03 WITH SUCTION VALVE	1
6	2409013600	KIT 167 LW 3 PISTONI +MOLLE PT'03	KIT 167 LW PISTON	1

D50080234C/01



IDROPULITRICE KLS 1680 GOLD PLUS 230-240/50 (9068011900)
HIGH PRESSUE WASHER KLS 1680 GOLD PLUS 230-240/50 (9068011900)

TESTATA / BRASS PUMP

D50080234C/01

Pos.	componente	Descrizione	Description	Qta
1	3604007300	KIT 287 LW VALV.ASP./MAND.+TAPPI OTT. FIL. PT' 03	KIT 287 SUCTION/DELIVERY VALVE+ BRASS THREAD C	1
2	3218058200	TESTATA PT'03 OTT. LAVOR C/FIL. X TAPPI VALV. S/MANO	BRASS HEAD	1
3	5019029800	KIT 124 ANELLI TENUTA ACQUA PARTNER D.12	KIT 124 O-RING WATER SEAL PARTNER D.12	1