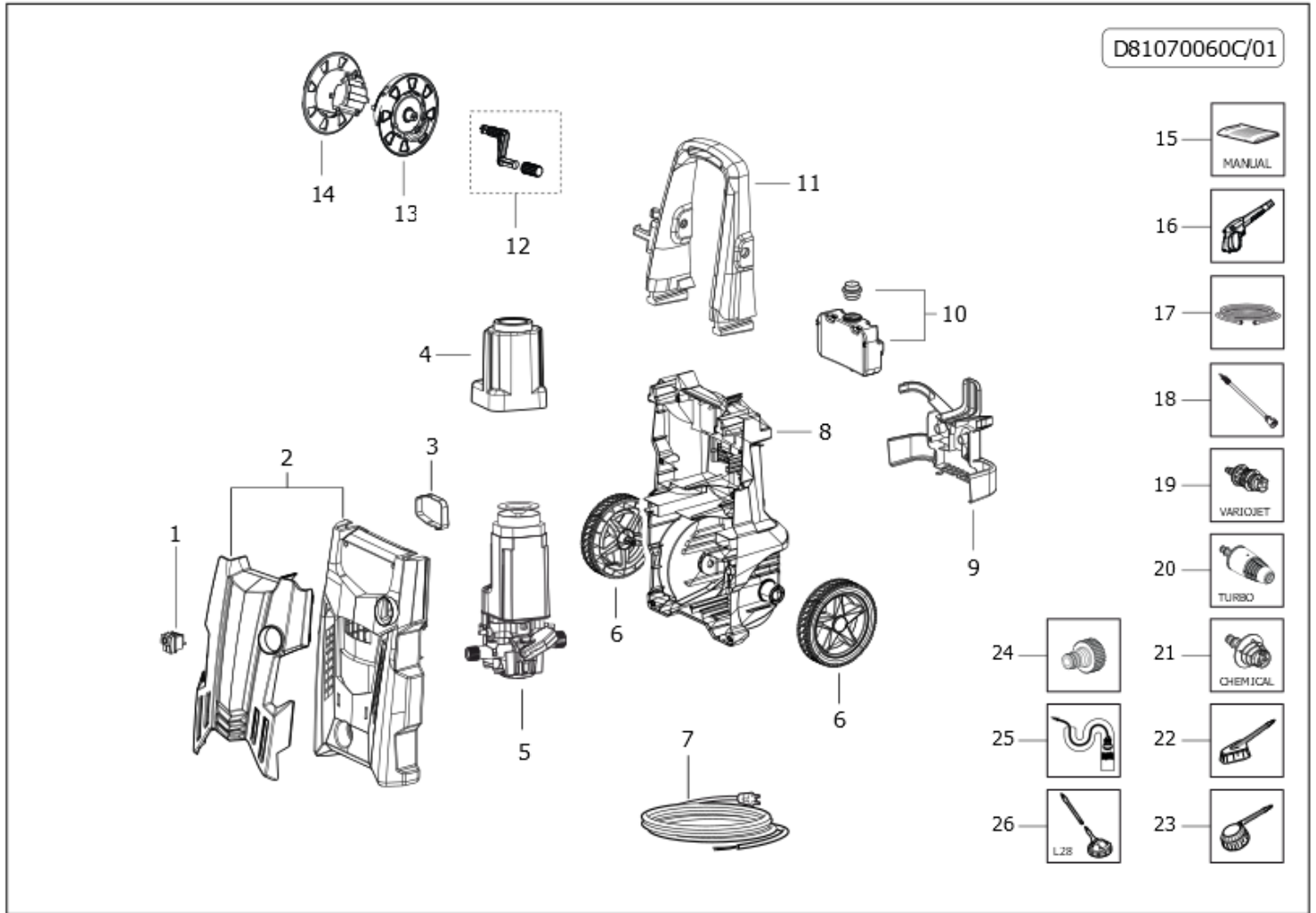


36058-00060: HPC KLZ 180 EXTRA 220-240V~50/60Hz W/2BRUSHES/L28 COMET (906

Validity date: 08/01/2025



Pos.	Old code	Code	Description	Quantity
0	3029009900	00054-01240	TANK + CAP (SPACE)	1
0	7304048200	34005-00436	MOTORPUMP PT'03 230/50 TS W/THERM.-SUCTION 6'35 THREAD CAPS	1
1	1410010100	00057-01179	SWITCH 0/1 BLACK BOTTON IP55 12/10	1
2		10002-05972	CABINET STARGATE+LATERAL COVERS -GREY CLEAR/GREY DARK-	1
3	0402054600	00039-00986	BLACK CAP FOR ELECTRICAL BOX	1
4	0466007800	00032-00138	DX MOTOR CONVEYER	1
5	7304048200	34005-00436	MOTORPUMP PT'03 230/50 TS W/THERM.-SUCTION 6'35 THREAD CAPS	1
6		00029-00455	"ORANGE WHEEL WITH BLACK COAT SPACE RAL.2003 (PANT.1585)	2
7	0456048300	00058-02100	CABLE H05VV-F 2X1,5 5,4MT SCHUKO PLUG + FASTON COVERS	1
8		00042-02380	GREY BACK CABINET FOR SPACE RAL.7015 (PANT.446)	1
9	3002123100	00042-01647	GREY BACK ACCESSORY HOLDER SPACE RAL.7015 (PANT.446)	1
10	3029009900	00054-01240	TANK + CAP (SPACE)	1
11		00026-01786	GREY HANDLE FOR HOSE REEL SPACE RAL.7015 (PANT.421)(P80.0612	1
12		10002-05974	KIT ORANGEHANDLE FOR SPACE/IKON W/HOSE REEL RAL2003 (PANT.15	1
13	0602013800	00040-01048	BLACK HALF LEVER SIDE REEL RAL.9011 FOR 020567/020561(800071	1
14	0602013900	00040-01049	BLACK HALF HOSE SIDE REEL WITH PIN RAL.9011 020567/020561 (8	1
15		22001-04245	MANUAL KLZ CLASSIC/ EXTRA COMET	1
16	2410023800	00080-02559	PISTOLA S'09 C/ATT.RAP. INTEGR.C/LEVA-GR-RAL.7015(PANT.446)	1
17	3208134400	00080-02138	HOSE 1/4 18MPa L=8000 M22x1,5 D.15-RAPID FIX	1
18	3301161900	00080-02784	LANCE S'12 WITHOUT NOZZLE HEAD WITH QUICK COUPLING/COGETIL	1
19	3217033500	00080-03683	NOZZLE HEAD LANCE S'12 D.0,95 -ORANGE- ADJUST.FAN JET W/QUIC	1

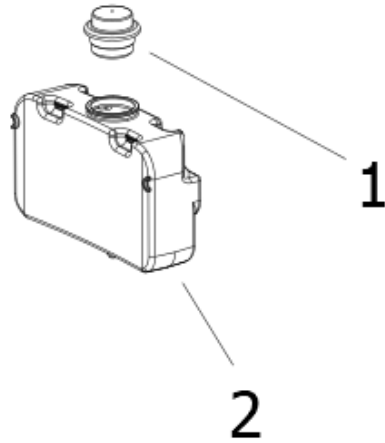


Pos.	Old code	Code	Description	Quantity
20	3400078100	00080-03655	ROTOX NOZZLE HEAD LANCE S'12 D.1,025 -BLACK- W/QUICK COUPLIN	1
21	3400077400	00080-03681	SOAP HEAD LANCE S'12 W/QUICK COUPLING	1
22	1413005600	00080-04166	FIX BRUSH WITH ADAPT.REINFORCED COGETIL	1
23		00080-04168	ROTATING HYDRO BRUSH W/HANDLE	1
24	2803355700	00009-02133	BLACK QUICK COUPLING INLET CONNECTOR (THREAD=9.5)	1
25	3045007000	00080-02854	PIPE CLEANING HOSES MT6+COGETIL+ NOZZLE	1
26	3046021100	00080-04209	GREY/BLACK FLOOR BRUSH L28 D.1,2 W/EXTENSION -RAL.7035(PANT.	1

00054-01240: TANK + CAP (SPACE)

Validity date: 08/01/2025

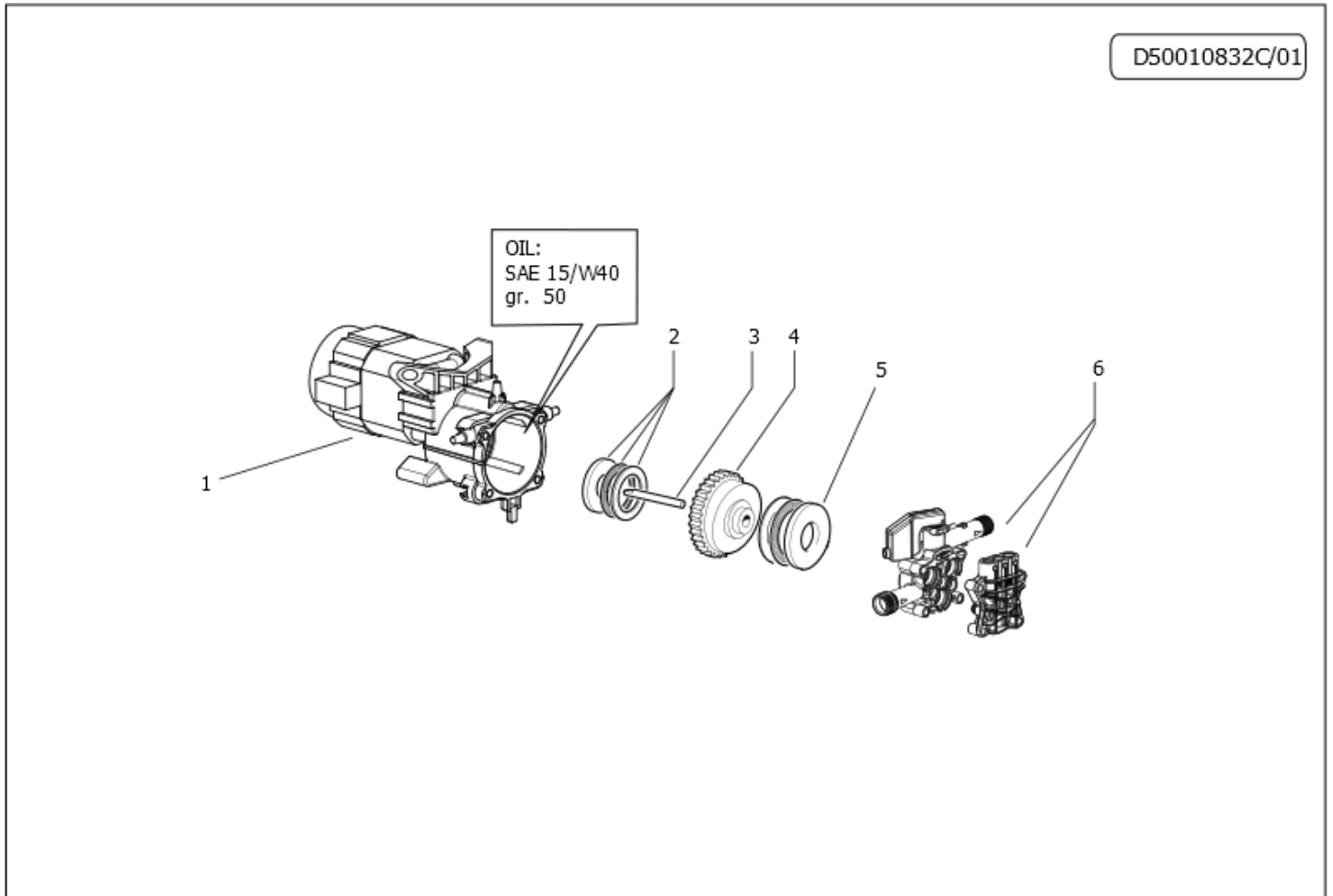
D50110008/01



Pos.	Old code	Code	Description	Quantity
1		00008-01056	BLACK PLUG FOR TANK (RAL.9011) (80007138)	1
2		00054-00781	NEUTRAL TANK SPACE	1

34005-00436: MOTORPUMP PT'03 230/50 TS W/THERM.-SUCTION 6'35 THREAD CAPS

Validity date: 08/01/2025

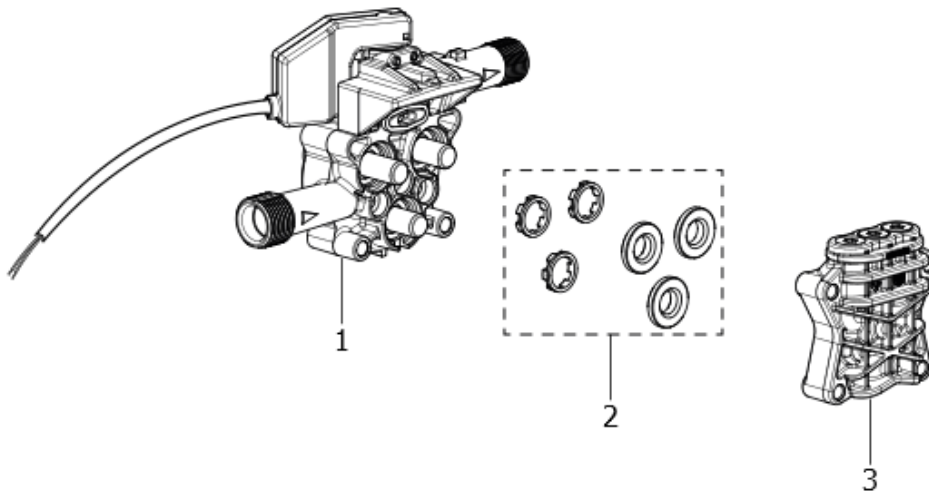


Pos.	Old code	Code	Description	Quantity
1	1831069200	10002-12877	8850 MOTOR 230/50 W/CAPACITOR-THERMAL 17AM-D 140G	1
2	0436003800	10001-08793	KIT 166 FOOTSTEP BEARING 3047 PT' 03-SD	1
3	2408007600	00053-00514	PIN 10X70	1
4	0001103400	10002-05446	6'35 WOBBLE PLATE ASSEMBLY W/PLASTIC INSERT+RING GEAR Z 50	1
5	0436003700	00045-00439	THRUST BEARING 35X55X12 PT'03	1
6	5027011000	10002-10300	BODY GUIDE+HEAD(TPAV) W/TS 14.5KG-SUCT.-THREAD CAPS-PL.CHECK	1

10002-10300: BODY GUIDE+HEAD(TPAV) W/TS 14.5KG-SUCT.-THREAD CAPS-PL.CHECK

Validity date: 08/01/2025

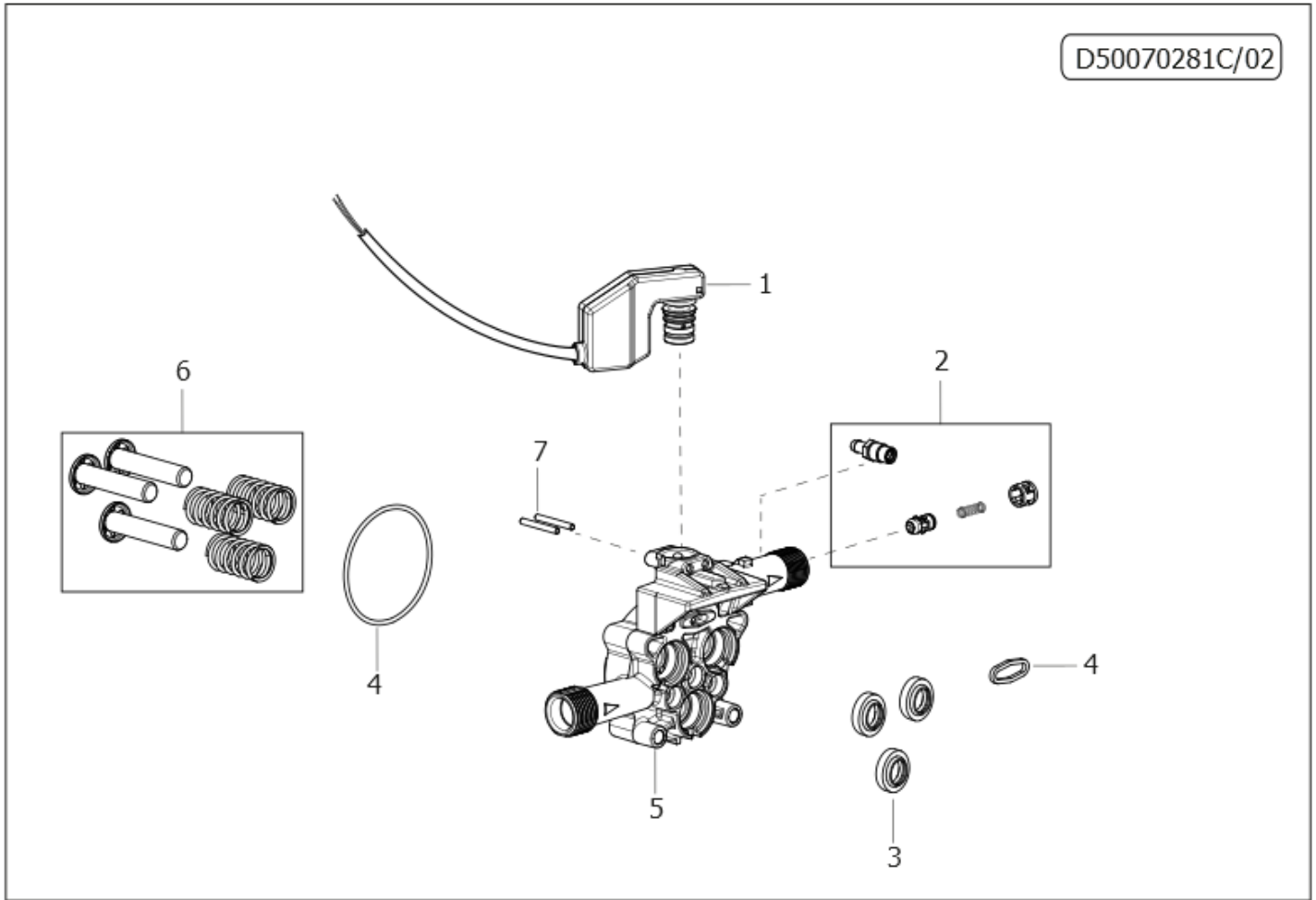
D50090997C/01



Pos.	Old code	Code	Description	Quantity
0	3218059400	10002-11978	PT'03 HEAD (TPAV) D.12 W/ALUM.THREAD CAPS	1
0	5027006600	10002-10116	PISTON BODY GUIDE PT'03 W/TS 14.5KG-SUCTION	1
1	5027006600	10002-10116	PISTON BODY GUIDE PT'03 W/TS 14.5KG-SUCTION	1
2	5027006700	10001-08886	KIT 257 O-RING SEAL	1
3	3218059400	10002-11978	PT'03 HEAD (TPAV) D.12 W/ALUM.THREAD CAPS	1

10002-10116: PISTON BODY GUIDE PT'03 W/TS 14.5KG-SUCTION

Validity date: 08/01/2025



Pos.	Old code	Code	Description	Quantity
1	3103005000	10002-05463	COMPLETED VALVE TS PT'03 CABLE L=530 SPRING 14.5KG (WHITE FA	1
2	5027005800	10001-08881	KIT	1
3	5034000200	10001-08715	KIT OIL SEAL RINGS X PARTNER D.12 / FIBER	1
4	1210086900	10001-08836	"KIT ""O-RING FOR PT'03"""	1
5	2432004700	00040-00961	PISTON BODY GUIDE PT'03 WITH SUCTION VALVE	1
6	2409013600	10001-08794	KIT 167 LW PISTON	1
7	3005010600	00053-00517	PIN 3,5x30 ZNT	2